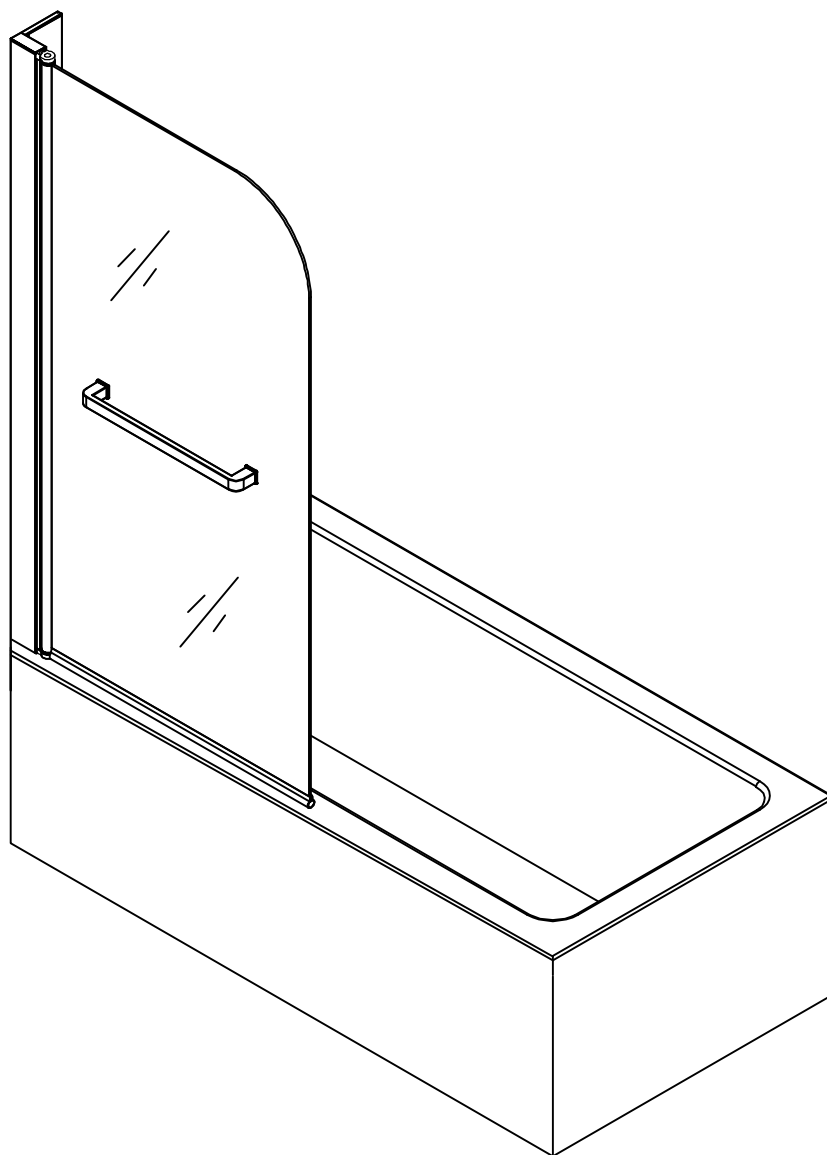
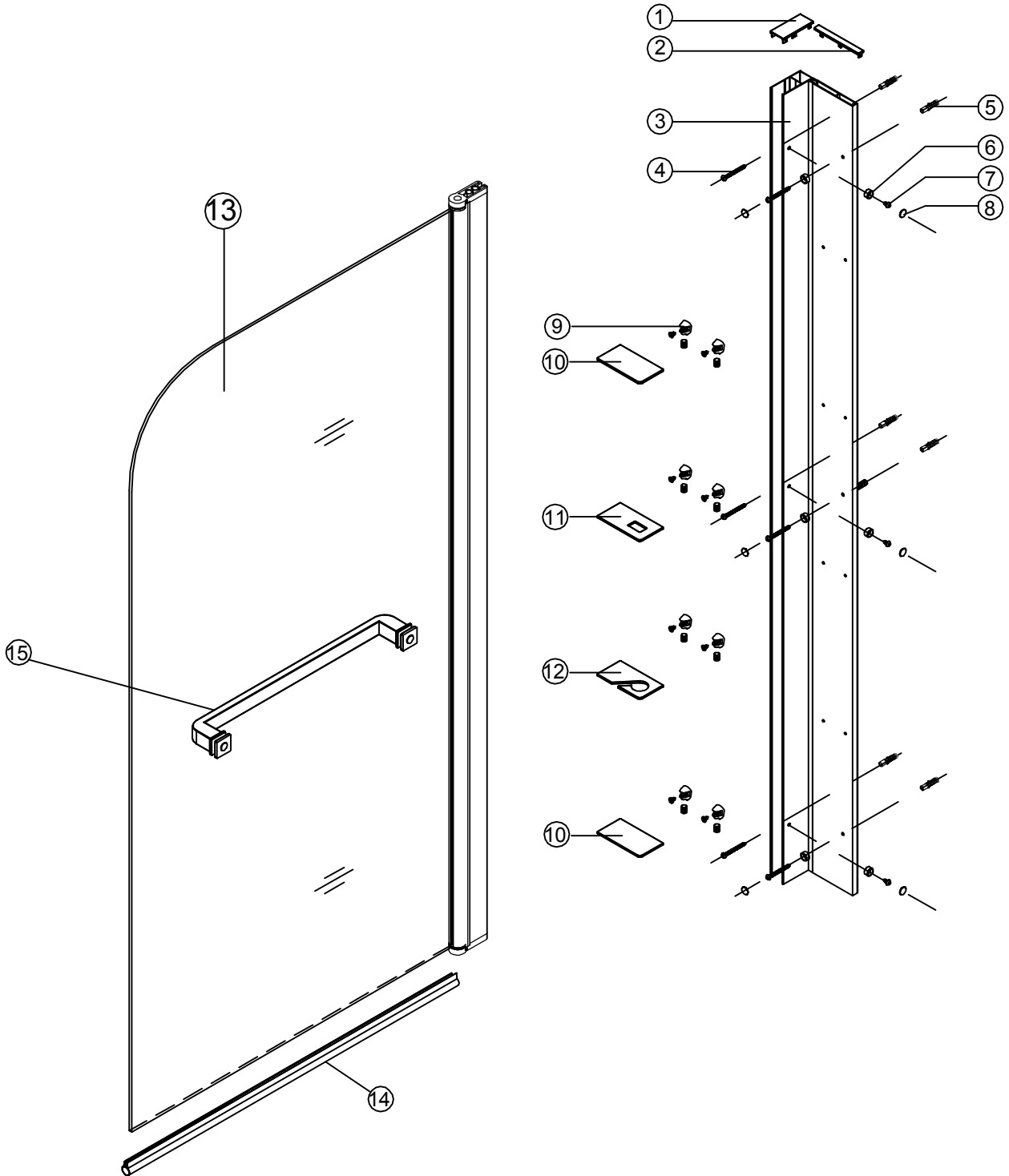














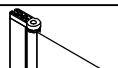


# Screen Pro Eco' Bath Screen Installation Instructions



# Parts Identification



# Components List

N0.	Drawing	Description	Qty
1		Wall Profile Top Cap	1
2		Wall Profile Top Cap	1
3		Wall Profile	1
4		No8x1 3/4" Pozi Pan Screw	6
5		Wall Plug 8mm Dia	6
6		Screw Cap Base	6
7		No8 x 3/8" Pozi Pan Screw	3
8		Screw Cap Top	6
9		Shelf Bracket	8
10		Shelf standard	2
11		Shelf razor	1
12		Shelf hook	1
13		Bath Screen	1
14		Bottom strip	1
15		Towel Rial	1

## TOOLS REQUIRED



## Things to check before you start

---

\*Check that the bath has been installed correctly and that it is level, tiled down onto and sealed to the manufacturer's guidelines.

**\*Please Note:** All product supplied without bath.

\*Check that there is sufficient space on the bath for the product and that the screen movement does not foul other items such as sinks and taps.

\*Ensure the product is fitted to a non-porous surface ie. tiled and that the shower area is water proof. Check that the wall surface is flat.

**\*Please Note:** This product can only be fitted to baths with a flat and level rim.

\*Unpack and check the product is complete and undamaged.

\*Please check you are happy with the product before installing it.

\*Fixings are supplied for solid walls only. Ensure that the correct fixings are used for the wall type.  
–if in doubt seek professional advice

\*Ensure the area is clean, dry and dust free.

\*Read the instructions in full.

\*Have the correct tools available, see "Tools Required"

\*Please dispose of all packaging with due regard to the environment.

\*All bath screens are manufactured for left hand wall fit, therefore, should you need to fit the bath screen to the right hand wall you will need to turn the mouldings at the top and bottom of the bath screen around so that drainage holes are facing in to the bath along with the seal which also needs to be turned so the long edge is also on the inside of the bath. Please follow instructions on page 7 .

## Safety

---

\*For domestic use only.

\*Handle all glass with care - support on cardboard to avoid risk of breakage.

\*When drilling walls check first for hidden pipes and cables.

\*All glass is toughened –it cannot be reworked or replaced by ordinary glass.

\*Use safety eyewear when drilling.

\*Use safety eyewear when handling glass.

\***DO NOT** drill through glass.

\*Keep all small parts away from children.

\*Plastic bags are dangerous. To avoid danger of suffocation or choking all plastic bags should be kept away from babies and children, and disposed of correctly after use.

\*Care and Maintenance

- Use clean cloth or wiper blade to remove water droplets after use
- Use only soapy water and a clean damp cloth to clean the surface of the product, wipe dry after with clean dry cloth
- NEVER USE solvents, scourers, abrasive solutions, bleach, acidic solutions, string detergents, aggressive chemical cleaners or solvent type cleaning solutions on this products.

\*Technical Specification

- This product uses toughened glass that conforms to EN12150
- This product has 20mm adjustment for out of square walls

\*Guarantee

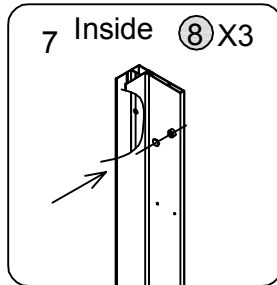
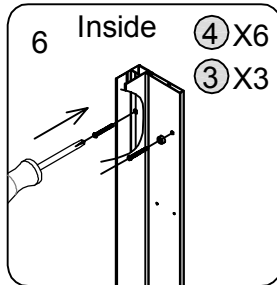
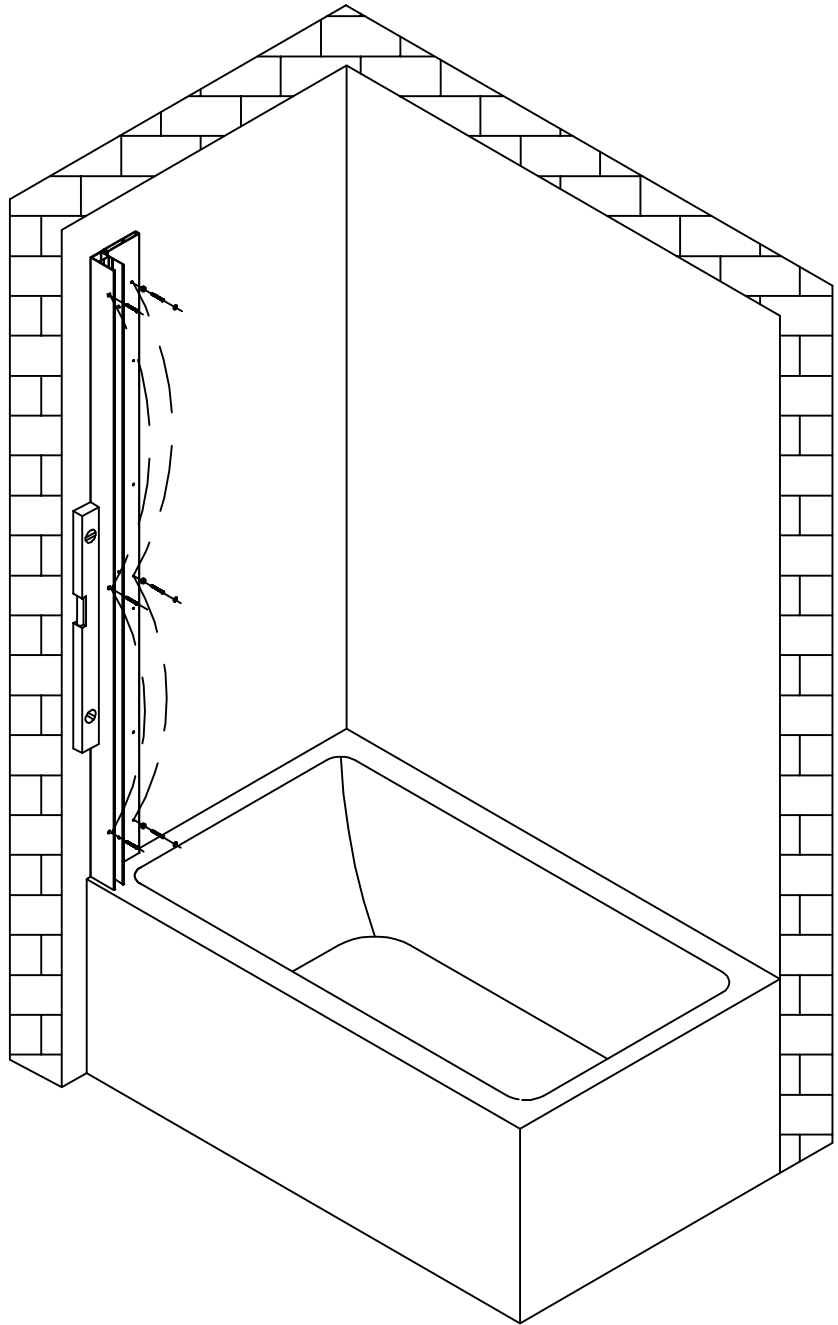
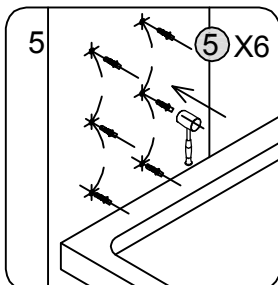
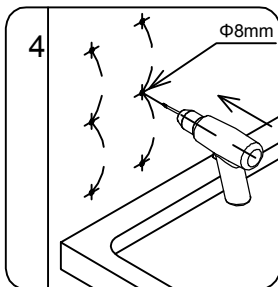
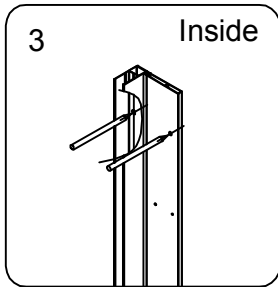
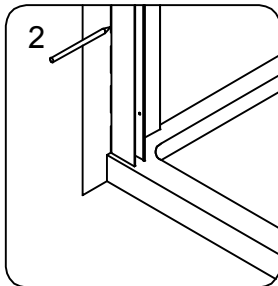
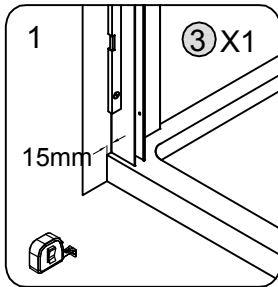
- Products that have not been stored, assembled, fitted correctly or not maintained in line with 'Care and Maintenance', we will not accept responsibility under the Guarantee.
- If product is damaged or becomes defective due to modification, neglect, misuse we will not accept responsibility under the Guarantee.
- Product damaged by accidently, willfully or due to an act of God we will not accept responsibility under the Guarantee
- Products not installed in accordance to this instruction leaflet.
- Product installed with known fault that was evident prior to installation.

\*Fitting Tips

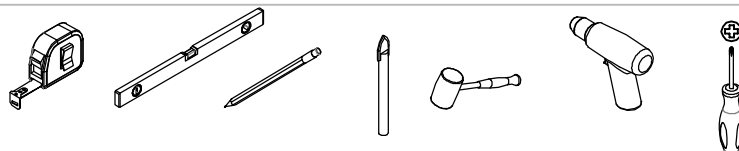
- When drilling into tiles use masking tape to avoid drill slipping.

# Fitting Bath Screen

01

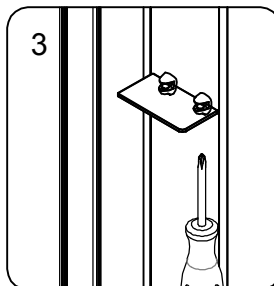
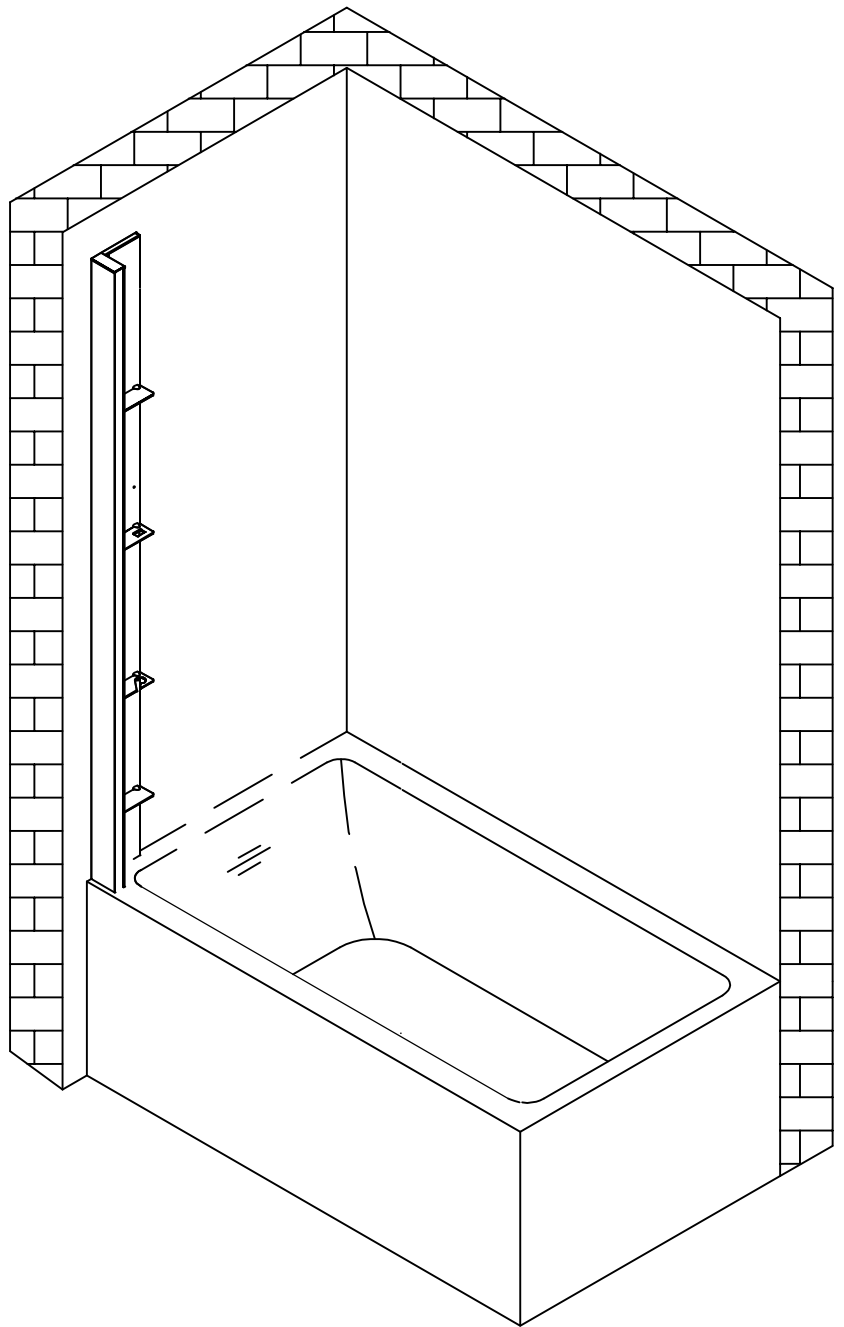
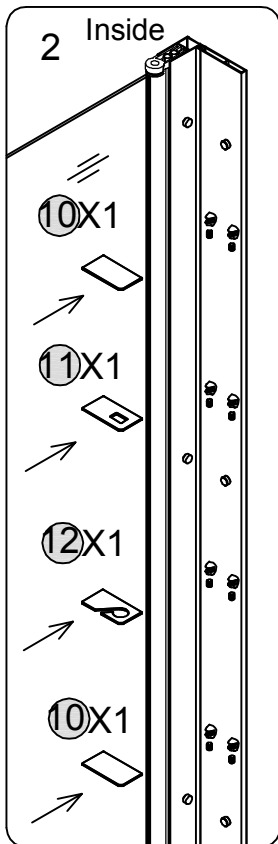
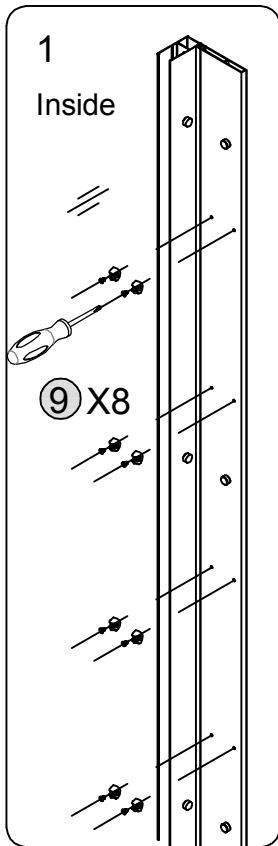


Tools



# Installation

02

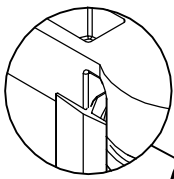


Tools

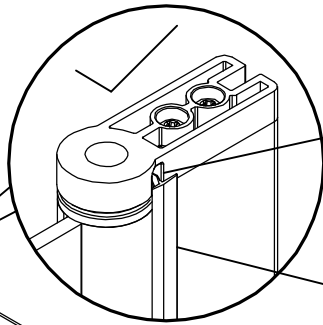
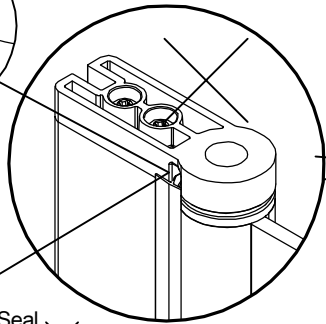


# Installation

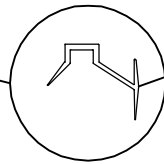
03



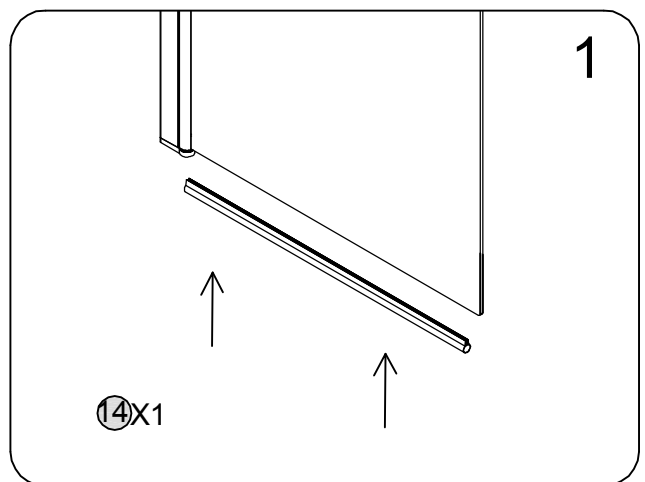
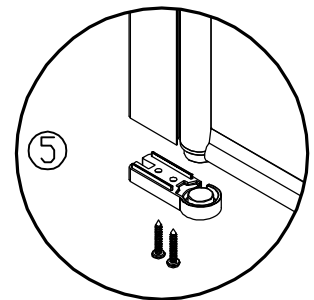
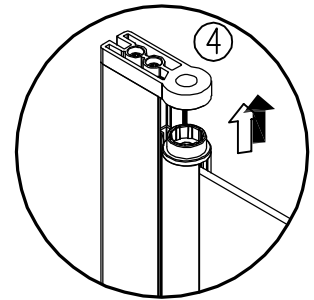
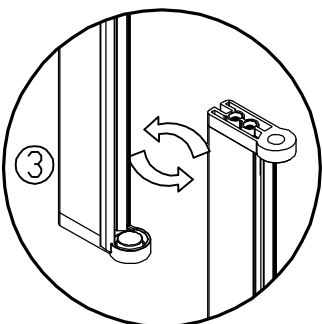
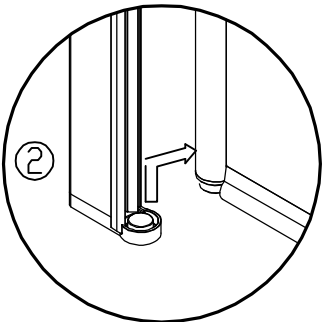
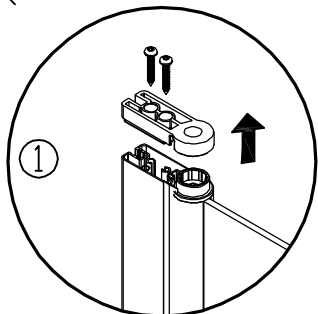
The hole and Seal outside the bath is ✗



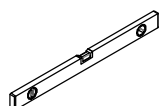
The hole and Seal inside the bath is ✓



seal: bigger in side



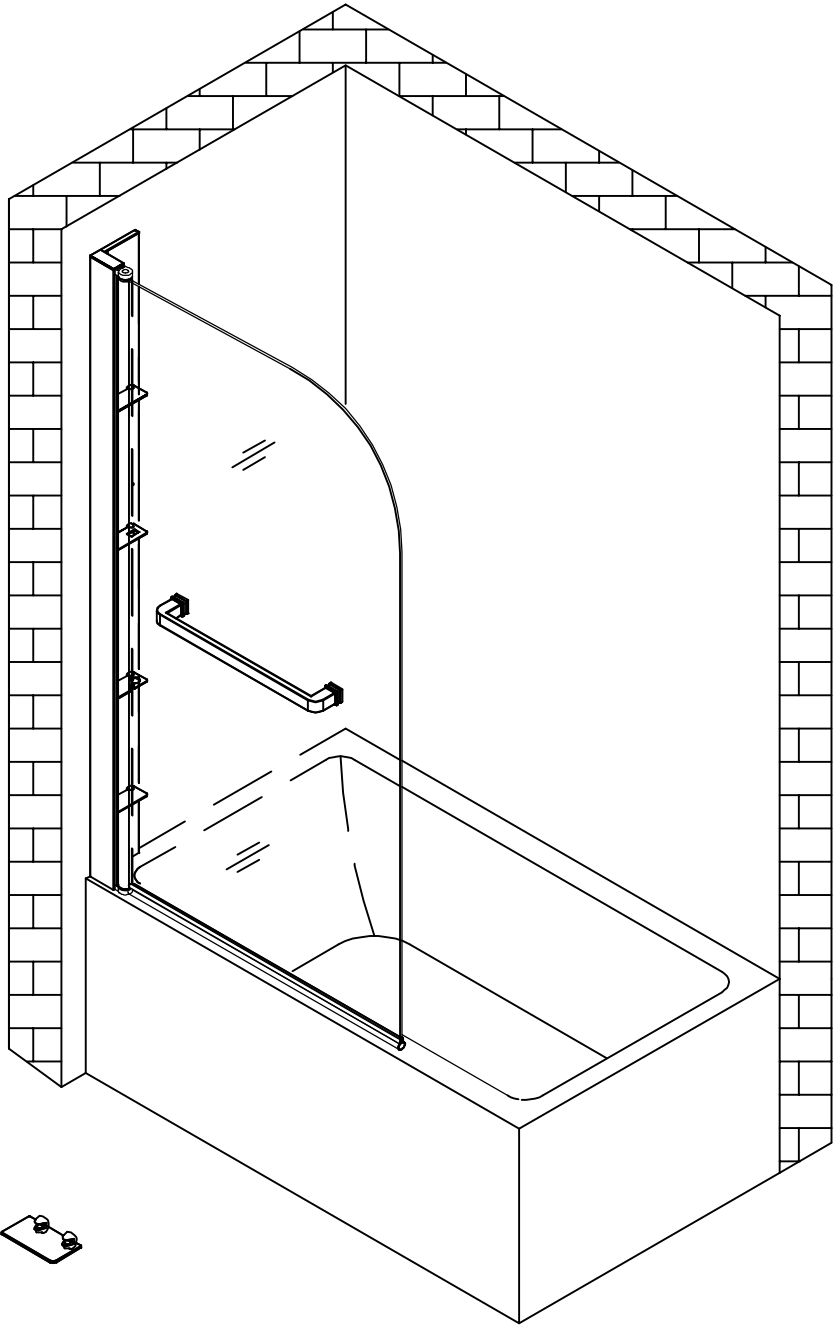
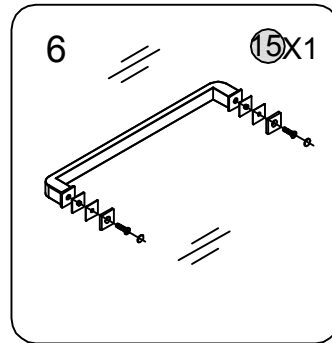
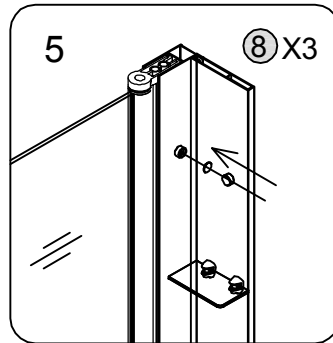
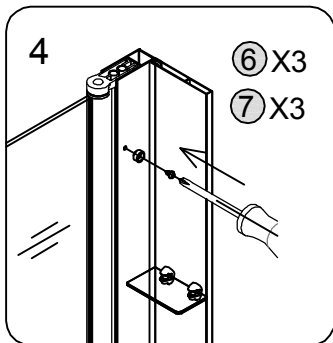
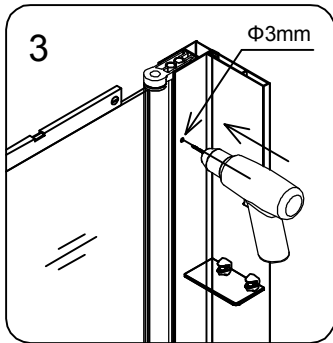
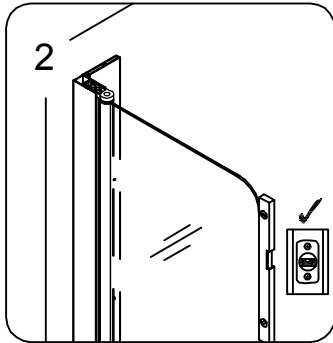
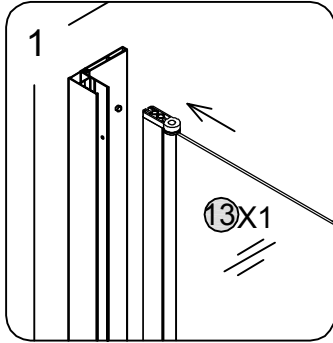
Tools



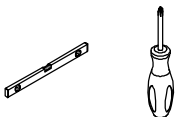


# Installation

04

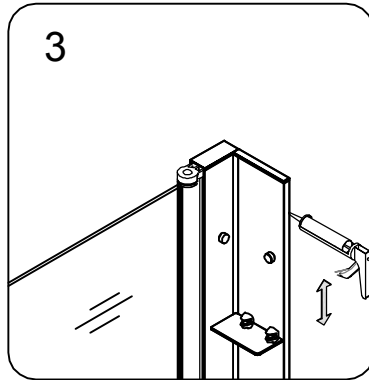
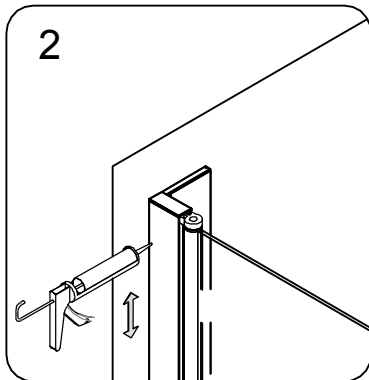
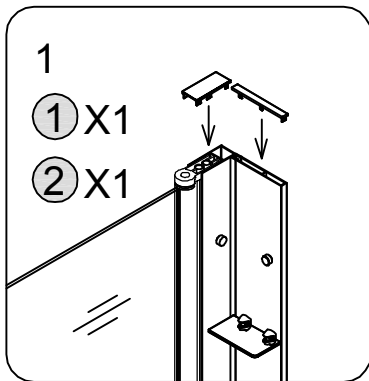
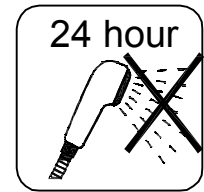
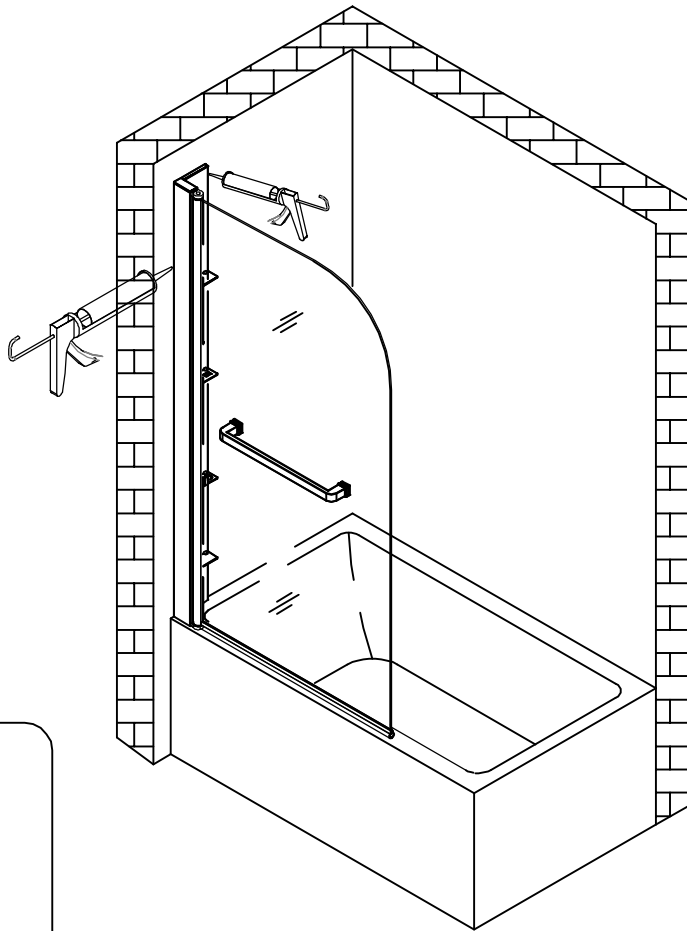


Tools



# Installation

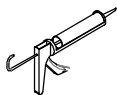
05



! Apply Silicone Sealant, (not supplied).

! Apply Silicone Sealant vertically between Wall Channel and wall

Tools



For further information, please visit us at [www.bathscreenpro.co.uk](http://www.bathscreenpro.co.uk).